





# SPD360/SPD360C+

 3100 x 800 x 1990 mm
 4000 x 4000 mm

	kg
 SPD360C+ SPD360CDH	2400 2300
	0
 2T-D7	20
 PP400-4E (DF) PP220-4E (D)	50
 JIB800G	50
 JIB600.1M	100
 JIB800.1H	165
 MR800.4	295

SPD360CDH	 KUBOTA D722-E3B		
	 3	<b>kW</b>	14,9kW 20Hp

SPD360C+	 n°4 6V 420Ah	<b>kW</b>	24V-DC 3,0 kW 4,1 Hp
----------	---	-----------	----------------------------

3,4-12,1 m 40 sec.



0°/70° 24 sec.

360 1,5 rpm

	600 kg 60 m - Ø 7 mm
	SPD360C+      SPD360CDH
	16 m/min      18/35 m/min

	1800 Kg	3	 -15 m
---	---------	---	---


	1200 Kg	2	 -25 m
---	---------	---	---

	600 Kg	1	 -55 m
---	--------	---	---


	1800 Kg
	10,5 m
	13,0 m




	4 kW - 3F 400 VAC 50 Hz
	4 kW - 1F 220 VAC 60 Hz

 1900 kg

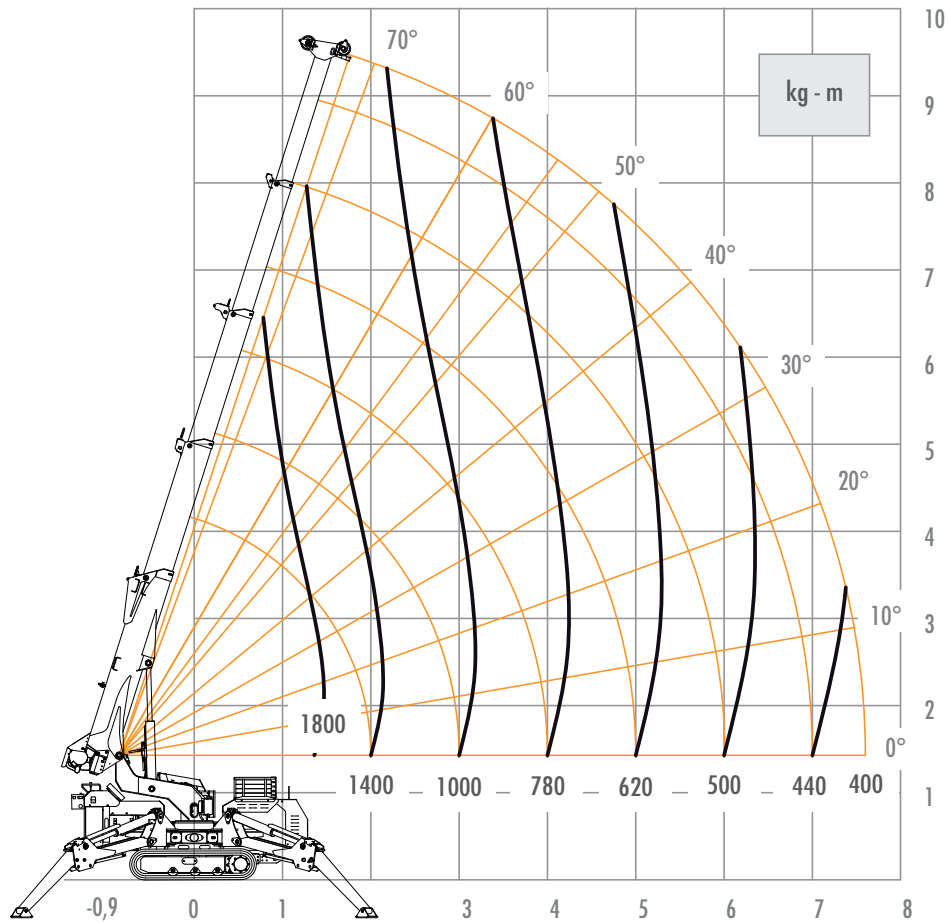
 20°

 0,44 Kg/cm<sup>2</sup>

























 1,0 Km/h

SPD360C+	SPD360CDH
1,8 Km/h	1,8 Km/h

- BPI**
- CCI**
- SCI**
- A2B**
- DTC**



JIB800G	JIB600.1MX	JIB800.1H	MR800.4
---------	------------	-----------	---------

 <b>800 Kg</b>	 <b>600 Kg</b>	 <b>800 Kg</b>	 <b>800 Kg</b>
			
 <b>10,0 m</b>  <b>800 kg</b>	 <b>13,0 m</b>  <b>600 kg</b>	 <b>12,5 m</b>  <b>800 kg</b>	 <b>10 m</b>  <b>450 kg</b>
 <b>8,0 m</b>  <b>300 kg</b>	 <b>7,5 m</b>  <b>340 kg</b>	 <b>10,5 m</b>  <b>150 kg</b>	 <b>6,5 m</b>  <b>270 kg</b>

